



Contact
E-mail
Phone

Customer

Contact
E-mail
Phone

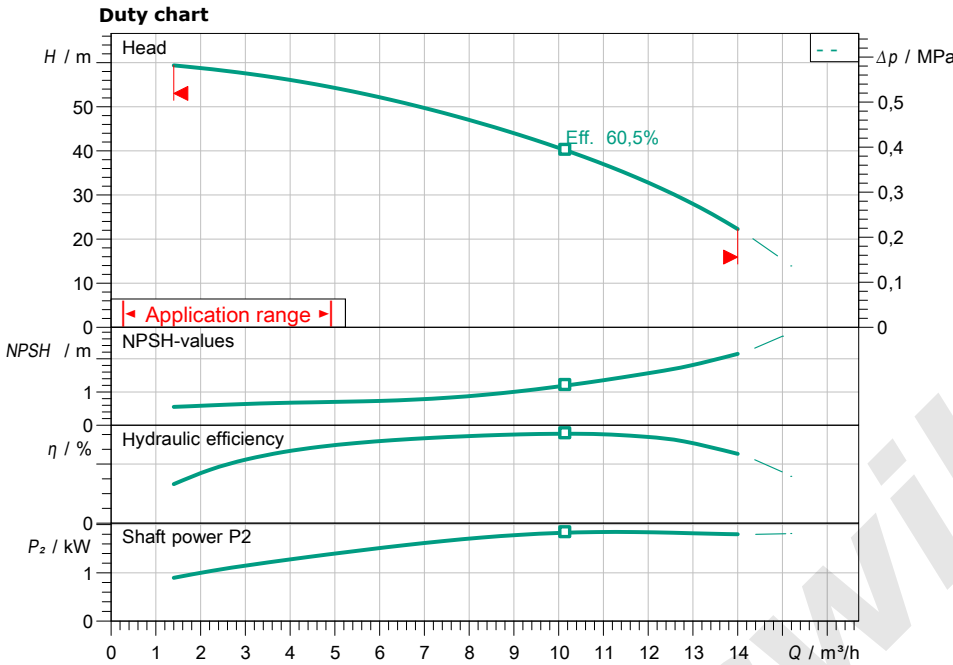
Technical data

High-pressure multistage centrifugal pump
MHI 805-1/E/3-400-50-2

Project name

Project ID
Installation location
Customer pos.no

Date 31.08.2018



pump curves in accordance with ISO 9906, Appendix A

Requested data

Flow
Head
Media Water 100 %
Fluid temperature 20,00 °C
Density 998,30 kg/m^3
Kin. viscosity 1,00 mm^2/s

Hydraulic data (Duty point)

Flow
Head
Shaft power P_2
Hydraulic efficiency
NPSH

Product data

High-pressure multistage centrifugal pump
MHI 805-1/E/3-400-50-2
Max. operating pressure 1 MPa
Inlet pressure max. 6 bar
Fluid temperature -30 °C ... +110 °C
Max. ambient temperature 40 °C

Motordata per Motor/Pump

Motor efficiency level IE3
Mains connection 3~ 400 V / 50 Hz
Permitted voltage tolerance $\pm 10 \%$
Max. speed 2900 1/min
Rated power P_2 2,20 kW
Rated current 5,40 A
Power factor 0,82
Efficiency 50% / 75% / 100% 84,5/85,9/85,9%
Degree of protection IP 54
Insulation class F
Motor protection n0

Fitting dimensions

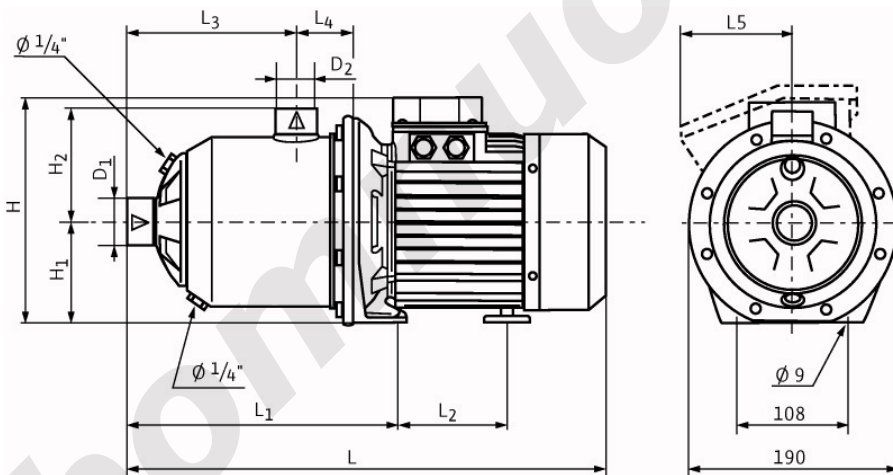
Pipe connection on the suction side Rp 1 1/2, PN 10
Pipe connection on the pressure side Rp 1 1/4, PN 10

Materials

pump housing 1.4301 [AISI304]
Impeller 1.4301 [AISI304]
Static seal EPDM
pump shaft 1.4301 [AISI304]
mechanical seal BQ1E3GG

Information for order placements

Weight approx. 21,3 kg
Item number 4210750



Dimensions

Dimensions		mm		
H	240	L2	148	$\varnothing D2$ 1 1/4
H1	90	L3	181,5	
H2	104	L4	52	
L	523	L5	52	
L1	276	$\varnothing D1$	1 1/2	