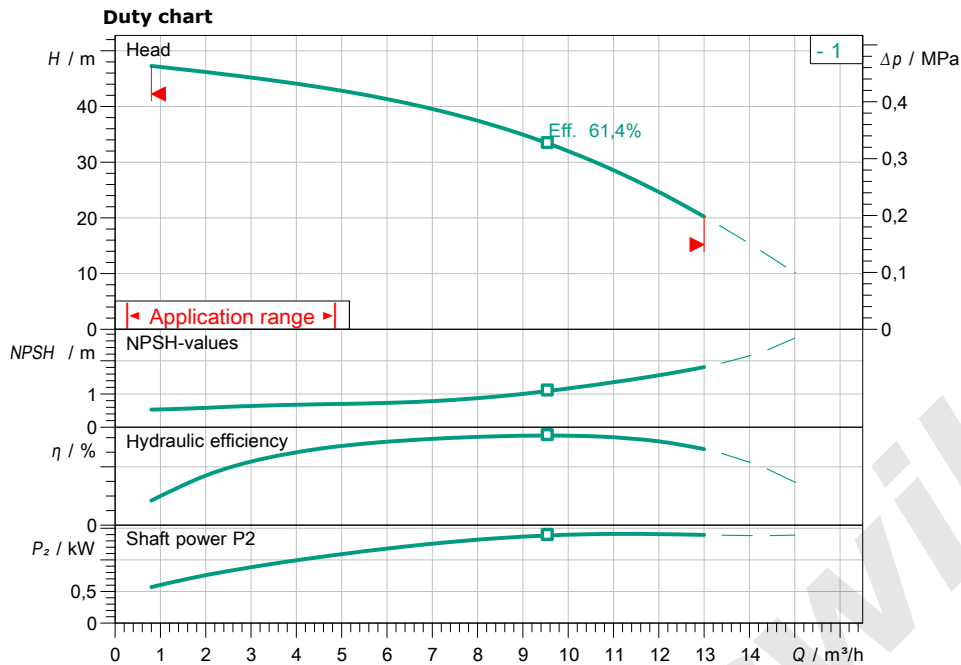


wiloContact
E-mail
Phone**Customer**Contact
E-mail
Phone**Technical data**High-pressure multistage centrifugal pump
MHI 804-1/E/1-230-50-2

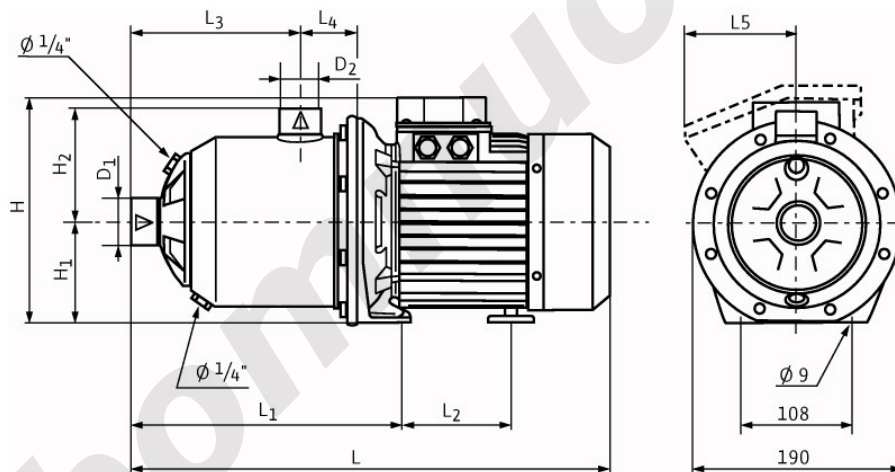
Project name

Project ID
Installation location
Customer pos.no

Date 06.09.2018



pump curves in accordance with ISO 9906, Appendix A

**Dimensions**

mm

H	224	L2	103,5	$\phi D2$	1 1/4
H1	90	L3	181,5		
H2	104	L4	52		
L	472	L5	106		
L1	276	$\phi D1$	1 1/2		

Requested data

Flow
Head
Media Water 100 %
Fluid temperature 20,00 °C
Density 998,30 kg/m^3
Kin. viscosity 1,00 mm^2/s

Hydraulic data (Duty point)

Flow
Head
Shaft power P2
Hydraulic efficiency
NPSH

Product data

High-pressure multistage centrifugal pump
MHI 804-1/E/1-230-50-2
Max. operating pressure 1 MPa
Inlet pressure max. 6 bar
Fluid temperature -30 °C ... +110 °C
Max. ambient temperature 40 °C

Motordata per Motor/Pump

Motor efficiency level
Mains connection 1~ 230 V / 50 Hz
Permitted voltage tolerance ± 10 %
Max. speed 2900 1/min
Rated power P2 1,50 kW
Rated current 9,20 A
Power factor 0,95
Efficiency 50% / 75% / 100% 59,6/66,4/67,8%
Degree of protection X4
Insulation class F
Motor protection PTO

Fitting dimensions

Pipe connection on the suction side Rp 1 1/2, PN 10
Pipe connection on the pressure side Rp 1 1/4, PN 10

Materials

pump housing 1.4301 [AISI304]
Impeller 1.4301 [AISI304]
Static seal EPDM
pump shaft 1.4301 [AISI304]
mechanical seal BQ1E3GG

Information for order placements

Weight approx. 16 kg
Item number 4024306