

Contact
E-mail
Phone

Customer

Contact
E-mail
Phone

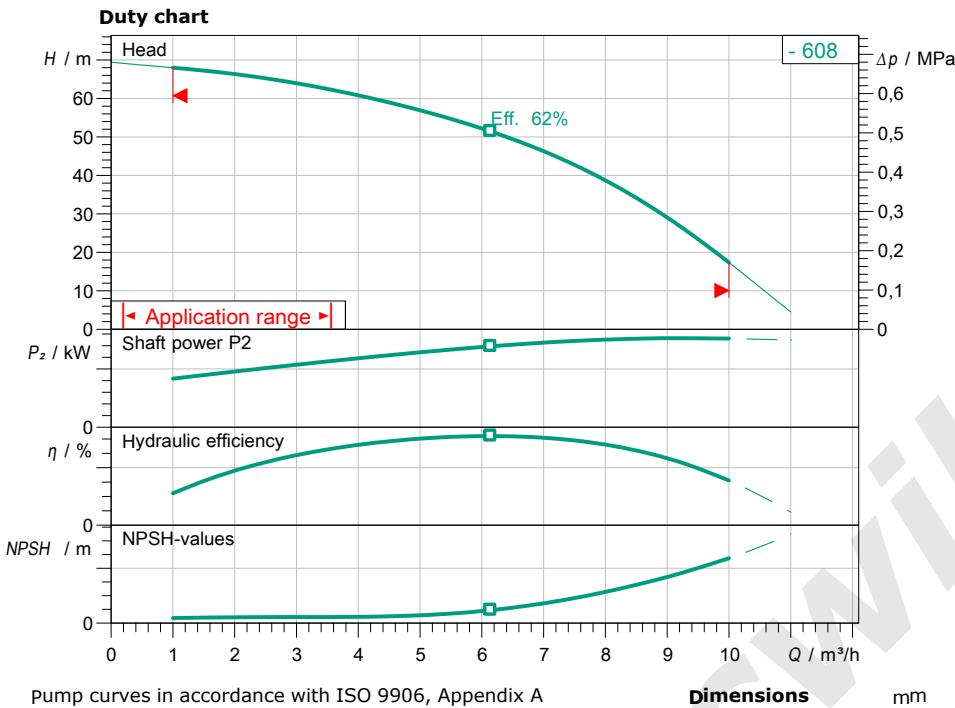
Technical data

High-pressure multistage centrifugal pump
Helix FIRST V 608-5/16/E/S/400-

Project name

Project ID
Installation location
Customer pos.no

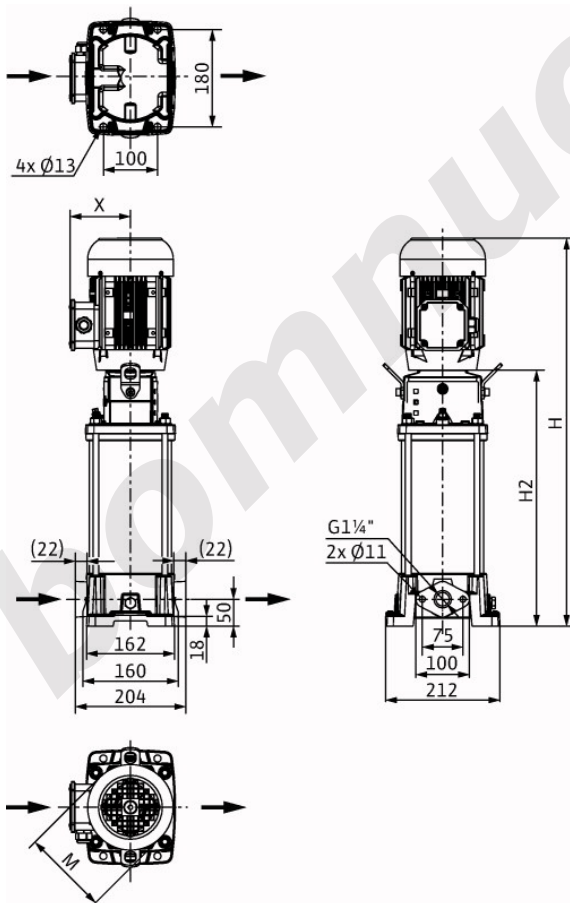
Date 31.08.2018



Dimensions

H	826
H2	559
Ø M	193
X	132

mm



Requested data

Flow	
Head	
Media	Water 100 %
Fluid temperature	20,00 °C
Density	998,30 kg/m ³
Kin. viscosity	1,00 mm ² /s

Hydraulic data (Duty point)

Flow	
Head	
Shaft power P2	
Hydraulic efficiency	
NPSH	

Product data

High-pressure multistage centrifugal pump	
Helix FIRST V 608-5/16/E/S/400-50	
Max. operating pressure	1,6 MPa
Inlet pressure max.	10 bar
Fluid temperature	-30 °C ... +120 °C
Max. ambient temperature	40 °C
Minimum Efficiency Index (MEI)	≥ 0.70

Motordata per Motor/Pump

Motor efficiency level	IE3
Mains connection	3~ 400 V / 50 Hz
Permitted voltage tolerance	±10 %
Max. speed	2900 1/min
Rated power P2	1,50 kW
Rated current	3,10 A
Power factor	0,83
Efficiency	
50% / 75% / 100%	80,5/83,7/84,2%
Degree of protection	IP 55
Insulation class	F
Motor protection	n0

Fitting dimensions

Pipe connection on the suction side	G 1 1/4, PN 16
Pipe connection on the pressure side	G 1 1/4, PN 16

Materials

pump housing	EN-GJL-250 (cataphoretic-coated)
Impeller	1.4307 [AISI304L]
Static seal	EPDM
pump shaft	1.4301 [AISI304]
mechanical seal	Q1BE3GG

Information for order placements

Weight approx.	36,6 kg
Item number	4201143