

Contact  
E-mail  
Phone

**Customer**

Contact  
E-mail  
Phone

### Technical data

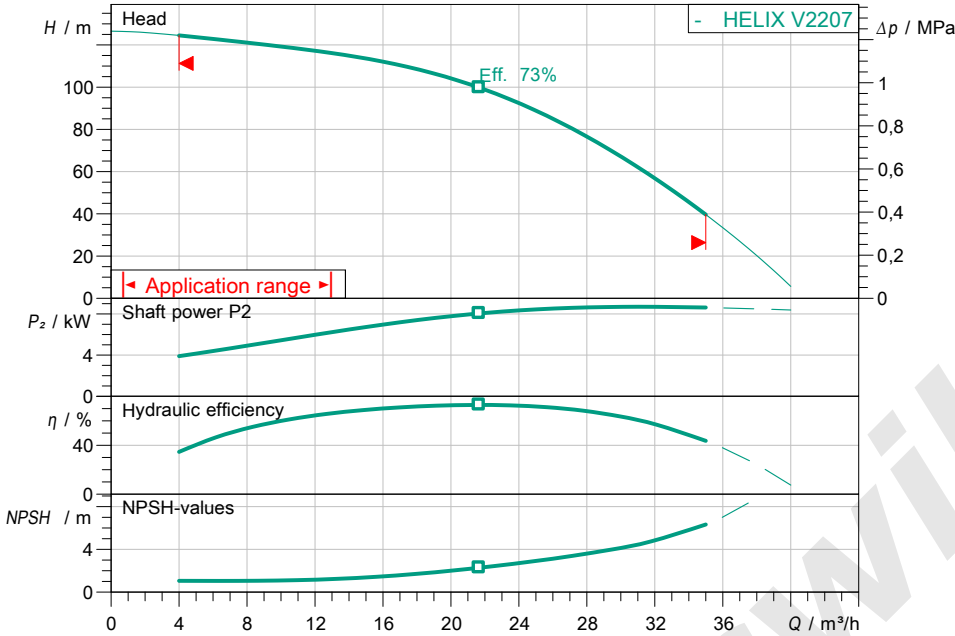
High-pressure multistage centrifugal pump  
Helix FIRST V 2207-5/16/E/S/400

Project name

Project ID  
Installation location  
Customer pos.no

Date 2019-01-02

**Duty chart**

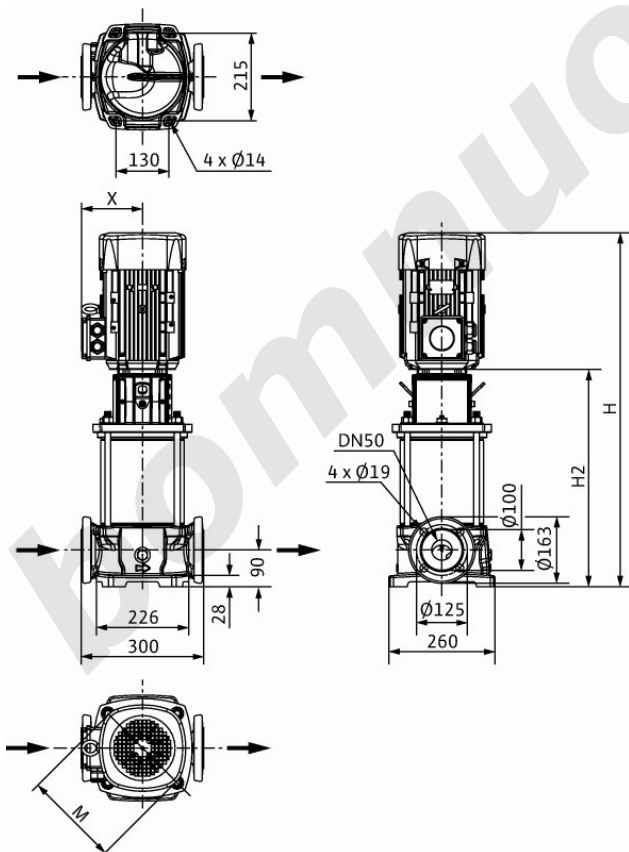


pump curves in accordance with ISO 9906, Appendix A

**Dimensions**

H	1099
H2	703
Ø M	279
X	182

mm



**Requested data**

Flow	
Head	
Media	Water 100 %
Fluid temperature	20,00 °C
Density	998,30 kg/m <sup>3</sup>
Kin. viscosity	1,00 mm <sup>2</sup> /s

**Hydraulic data (Duty point)**

Flow	
Head	
Shaft power P <sub>2</sub>	
Hydraulic efficiency	
NPSH	

**Product data**

High-pressure multistage centrifugal pump	
Helix FIRST V 2207-5/16/E/S/400-50	
Max. operating pressure	1,6 MPa
Inlet pressure max.	10 bar
Fluid temperature	-30 °C ... +120 °C
Max. ambient temperature	40 °C
Minimum Efficiency Index (MEI)	≥ 0.70

**Motordata per Motor/Pump**

Motor efficiency level	IE3
Mains connection	3~ 400 V / 50 Hz
Permitted voltage tolerance	±10 %
Max. speed	2926 1/min
Rated power P <sub>2</sub>	9,00 kW
Rated current	15,60 A
Power factor	0,91
Efficiency	50% / 75% / 100%
	88,9/90,5/90,6%
Degree of protection	IP 55
Insulation class	F
Motor protection	n0

**Fitting dimensions**

Pipe connection on the suction side	DN 50, PN 16
Pipe connection on the pressure side	DN 50, PN 16

**Materials**

pump housing	EN-GJL-250 (cataphoretic-coated)
Impeller	1.4307 [AISI304L]
Static seal	EPDM
pump shaft	1.4057 [AISI431]
Mechanical seal	Q1BE3GG

**Information for order placements**

Weight approx.	105 kg
Item number	4183361